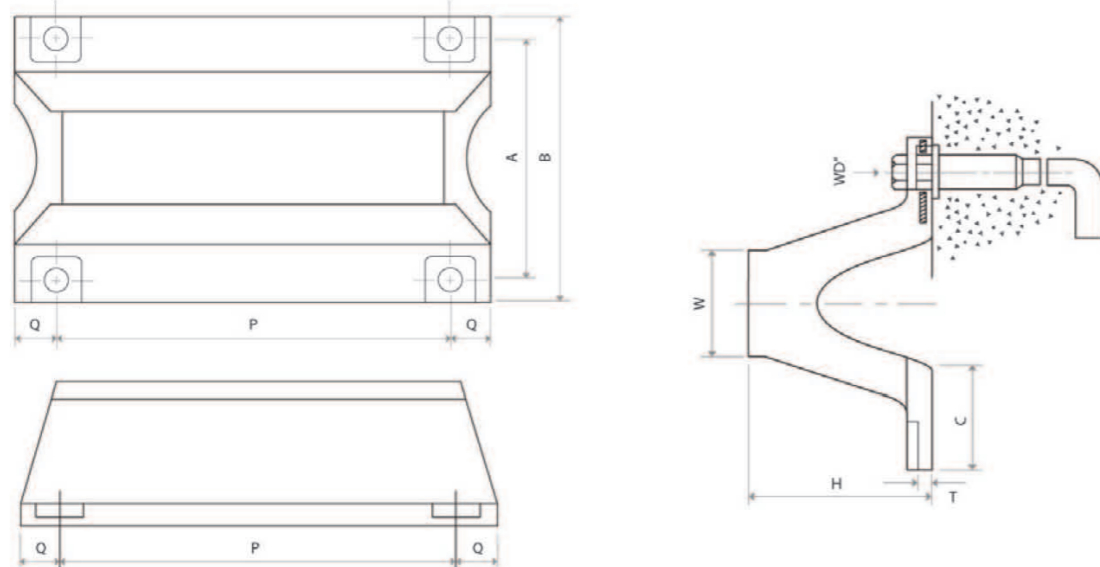
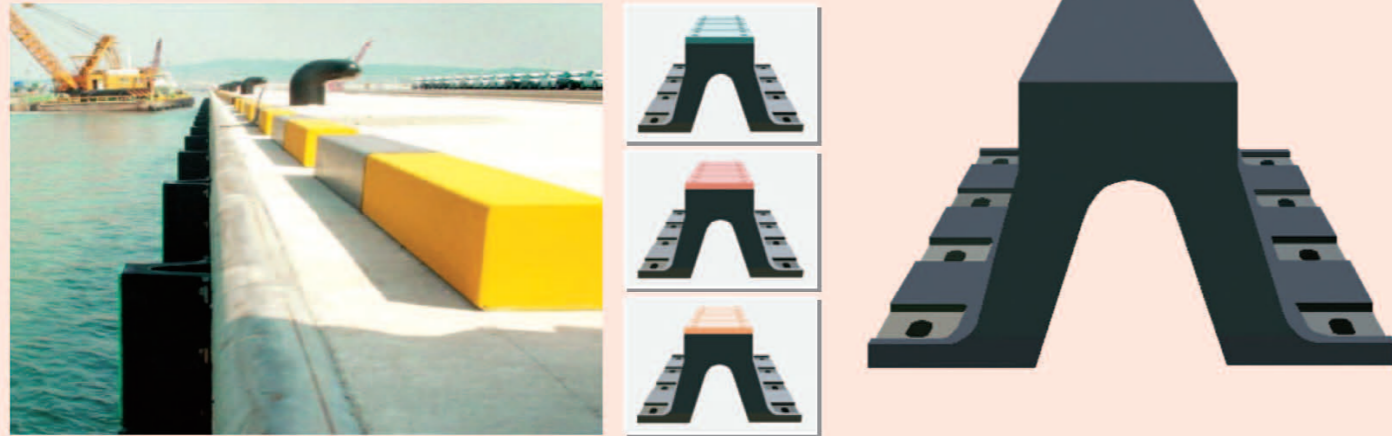


Rubber Fenders

TV Fender

TV Fender is designed to increase the energy absorption ability about 15%, compared with the other types of fender with same size and rubber grade. The compression capacity increases from 45% up to 52.5% through the most suitable design. TV fender is easy to install and replace as the specification of the anchor bolt for TV fender is same as OV fender's bolt.

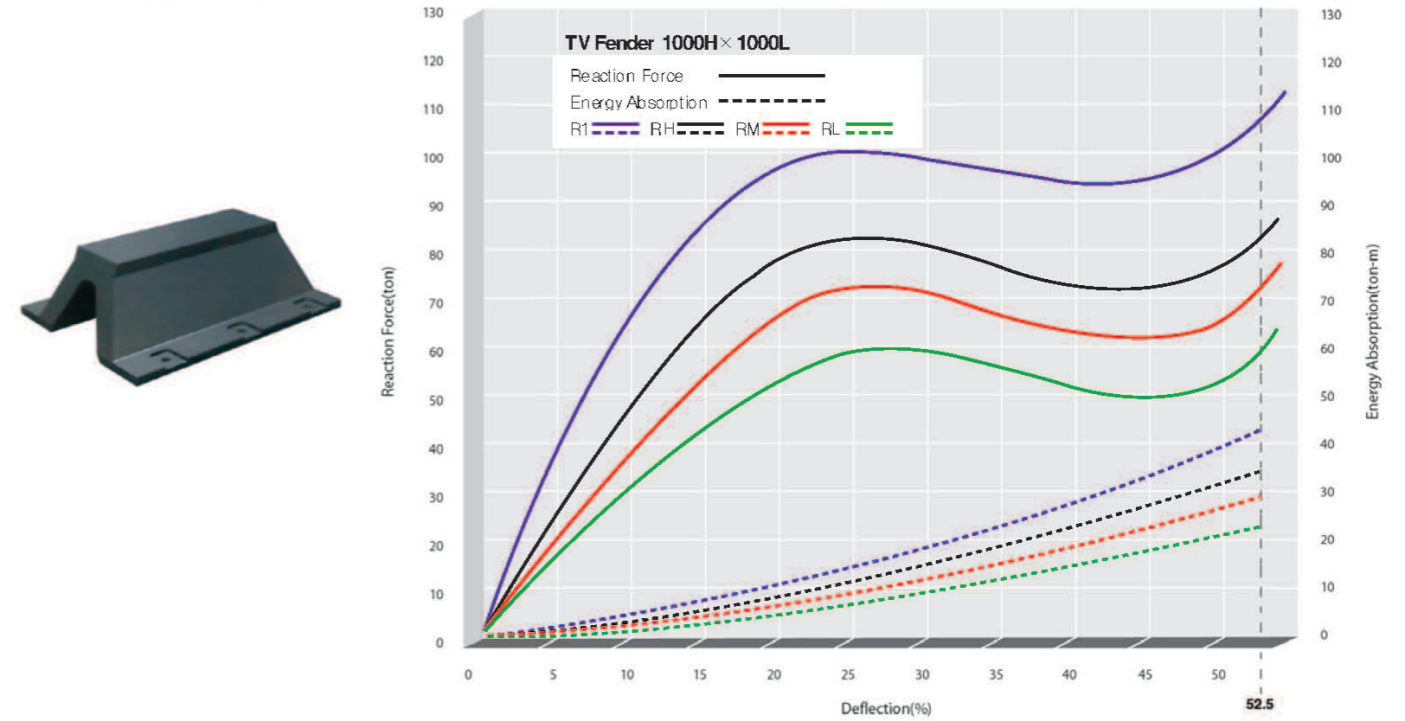


(Unit : mm)

Dimensions	Height	WD	A	B	C	T	W	1000L		1500L		2000L		2500L		3000L	
								P	Q	P	Q	P	Q	P	Q	P	Q
150H	7/8	240	300	96	17	120	855	110	675×2	112.5	620×3	107.5	785×3	110	715×4	107.5	
200H	1	320	400	128	17	160	860	120	680×2	120	620×3	120	780×3	122.5	715×4	120	
250H	1 1/8	410	500	160	22	200	865	130	680×2	132.5	620×3	132.5	790×3	127.5	715×4	132.5	
300H	1 1/4	490	600	192	23	240	870	140	685×2	140	625×3	137.5	790×3	140	715×4	145	
400H	1 1/2	670	800	256	28	320	900	150	700×2	150	635×3	147.5	800×3	150	725×4	150	
500H	1 3/4	840	1000	320	32	400	930	160	715×2	160	645×3	157.5	810×3	160	730×4	165	
600H	2	1010	1200	384	40	480	960	170	730×2	170	655×3	167.5	820×3	170	740×4	170	
800H	2 1/2	1340	1600	512	43	640	1040	180	770×2	180	680×3	180	845×3	182.5	760×4	180	
1000H	2 1/2	1680	2000	640	49	800	1100	200	800×2	200	700×3	200	775×3	200	865×4	202.5	

Rubber Fenders

• Performance Curve



• TV Fender Performance Table

(Unit : mm)

Size	Performance	150H	200H	250H	300H	400H	500H	600H	800H	1000H
RS	R · F(ton)	16.5	21.0	27.0	33.0	43.5	54.0	64.5	87.0	108.0
	E · A(ton-m)	0.9	1.65	2.7	3.9	6.9	10.8	15.6	27.7	43.5
RH	R · F(ton)	12.0	17.0	21.0	25.0	33.0	42.0	50.0	66.0	83.0
	E · A(ton-m)	0.7	1.3	2.1	3.0	5.3	8.3	12.0	21.4	33.4
RM	R · F(ton)	11.0	14.0	18.0	22.0	29.0	36.0	43.0	58.0	72.0
	E · A(ton-m)	0.6	1.1	1.8	2.6	4.6	7.2	10.4	18.5	29.0
RL	R · F(ton)	9.0	12.0	15.0	17.0	23.0	29.0	35.0	46.0	58.0
	E · A(ton-m)	0.5	0.9	1.4	2.1	3.7	5.8	8.3	14.8	23.1

— R · F : Reaction Force(ton) — E · A : Energy Absorption(ton-m) — Tolerance : ±10% — Deflection : 52.5% — Length : 1000mm

